

611WW



6 Burner Trolley BBQ

with Transparent Window within Enclosed Hood



Features and Benefits:

Warranty	2 Years
6 Burner Barbecue	High quality 6 burner barbecue with additional rear rotisserie burner and side wok burner (Rotisserie components included).
Double Skinned Hood with Thermostat	Double skinned hood with rotisserie and thermostat allows cooking with the lid closed and retaining more heat than other skinned models.
Rotisserie	Great for roasting larger cuts of meat.
Transparent Window	Transparent window within hood to allow visibility when using rotisserie and roasting.
Automatic Ignition	Safer and easier ignition setup which can be lit with one hand and without the use of flammable and explosive matches and lighters.
UV Protected Cover	Your barbecue will not only last longer but will also look better when protected with the weather proof cover provided as a standard additional extra.
304 Grade Stainless Steel	Made of high grade stainless steel which is very resistant to heat and salt, helping to avoid corrosion and decay.
Included Extras	Weather Proof UV Protected Cover, Warming Rack & Grease Drip Tray

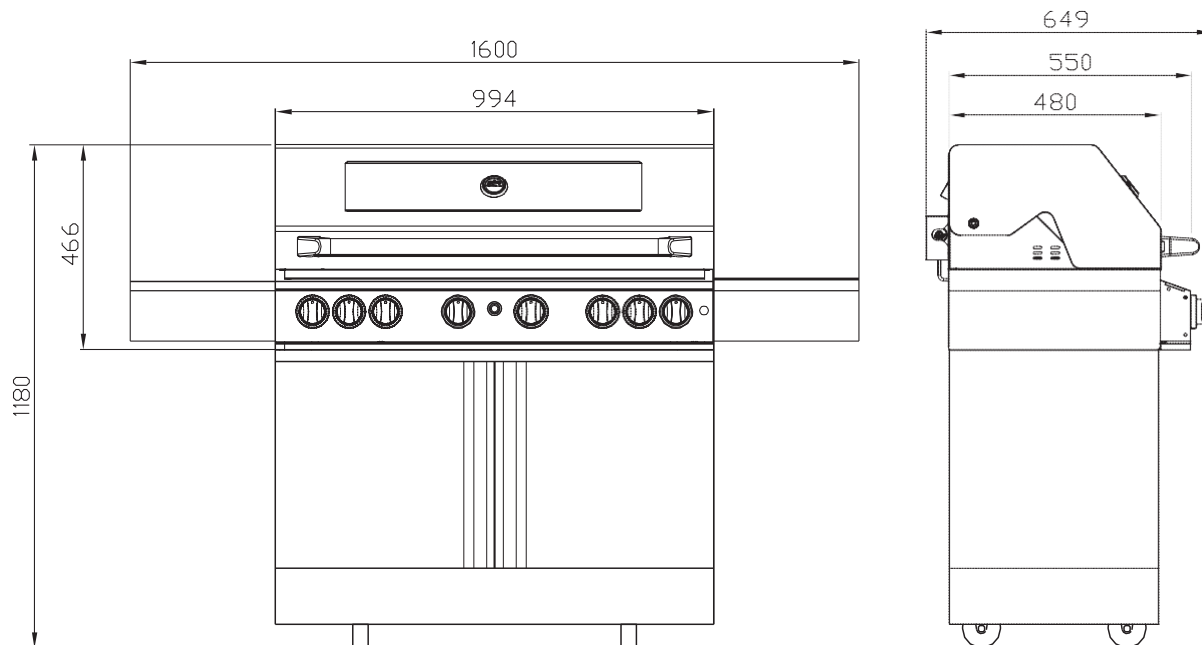
Distributed by Arisit Pty Ltd

40-44 Mark Anthony Drive, Dandenong South VIC 3175 Phone: 1300 762 219 Fax: 03 9706 6904 Website: www.arisit.com

611WW



6 Burner Trolley BBQ with Transparent Window within Enclosed Hood



Model	611WW
Control Panel	304 Grade Stainless Steel
Burner Configuration	6 x Main Burners (13mj/hr each), 1 x Rear Burner (13mj/hr), 1 x Side Wok Burner (13mj/hr) & rotisserie
Flame Burners	Stainless Steel with Cast Iron Grids
Lighting	Under Hood Halogen Lighting and 6 LED Control Knobs
Ignition	One Hand Ignition
Cooking Surface	Cast Iron Cooking Plate & Grid
Grill Plate Width	2 x 300mm
Flat Plate Width	1 x 300mm
Rotisserie	YES
Gas Bottle Position	Internal
Product Dimensions	(W) 1600mm x (D) 649mm x (H) 1180mm
Total Size of Cooking Area	(W) 950mm x (D) 450mm

WARNING: Technical specifications and product sizes can be varied by the manufacturer, without notice. Cut outs for appliances should only be physical product measurements. The above information is indicative only.

Distributed by Arisit Pty Ltd

40-44 Mark Anthony Drive, Dandenong South VIC 3175 Phone: 1300 762 219 Fax: 03 9706 6904 Website: www.arisit.com